

# COMPLETE LOADING DOCK SYSTEMS

OVERHEAD DOORS, SHELTERS, SEALS AND LEVELERS



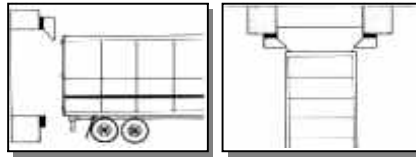
[WWW.JOHNSONBUILDINGSYSTEMS.COM](http://WWW.JOHNSONBUILDINGSYSTEMS.COM)

Tel: 800-445-7249 or (215) 673-6050 Fax: (215) 322-2076

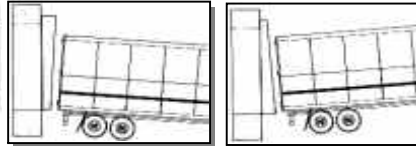
# LOADING DOCK SEALS AND SHELTERS

## TRUCK DOCK SEALS WITH TUFLAPS AND WEAR FACE

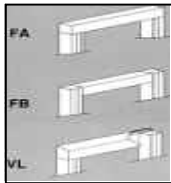
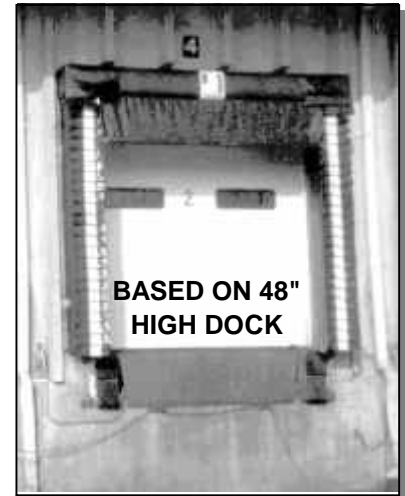
- 22 / 40 oz. Vinyl base, single piece pads.
- 8" / 12" Wedge side pad with projection from 10"-16" projection.
- Tuflaps High - PROMAX 5.
- Inner Wear Face (Up to 48" high).
- Available in Blue or Black.
- 3 Year Warranty.



**Wedge Design** - Vertical pads and header provide a positive seal even on oversized door opening



**Incline/Decline** - Tapered dock seals help provide a positive seal for a sloped ramp situation.



FA-Foam Above Style

FB-Foam Between Style

VL-Valance Header Style



Base Material	DOCK SEAL BASE AS SELECTED								OPTIONAL	
	22 oz. Vinyl				40 oz. Vinyl				PROMAX 5 TUFLAPS	Drop Curtain Weighted Bottom (with Velcro)
Door Size	Projection				Projection					
	10"	12"	14"	16"	10"	12"	14"	16"		
8' x 8'	<b>CALL FOR PRICING 1-800-445-7249</b>									
8' x 9'										
8' x 10' *										

\*VL-Valance Header System

## TRUCK DOCK SHELTERS - 500 Series Dock Shelter (Wood Frame)

- Treated structural wood framing combined with selected cover fabric.
- White translucent .050" thick fiberglass overlays on top and sides.
- Six inch steel channel protective bumpers. (Standard)
- Flexible A.B.S. stays inserted into pockets in side and flaps to provide rigidity. "Z Pattern" on the top and side flaps.
- Bottom 36" of each side flap and header wear points are reinforced with additional layers of fabric.
- Draft pads (8" tapered to 2") at lower corners of Shelter to prevent air infiltration.



## 600 Series Dock Shelter (Steel Frame)

ADD 25% to base of series 500 (Wood Frame)

- A welded steel frame for added strength and durability.
- Construction consists of 1-1/4"x1-1/4"x1/8" steel wall treated with anti-corrosion compound.
- White .050" Fiberglass attached to steel by 3/16" decimeter large head rivets.
- Zinc or Galvanized plating also available.

Model V-500 - 40 oz. Vinyl (Standard)					Optional Projections Available	Optional Metal Hoods		
18" Projection Standard Model		Width				18" std	S-H-18	
Height	11'	11'	11' 6"	12'	12' 6"		13'	20 Ga. 18" Projection 6" Height, 10' Base
	11' 6"	<b>CALL FOR PRICING 1-800-445-7249</b>						
	12'							
	12' 6"							
	13'							
14'	Model V-500 - 40 oz. Hypalon Add 10% to Base Price					36"	S-H-24	20 Ga. 24" Projection 6" Height, 10' Base

Incline/Decline - Tapered dock shelters are available to accommodate incline or decline approaches



# FAST-DOCK SYSTEMS

## PRECAST CONCRETE FAST-DOCK

Economically expands and diversifies loading and access capabilities



### Features Include:

- Adjustable Height and Width • 13, 21, 31 or 40 Foot Lengths
- Adjustable Gross Weight Capabilities to 50,000 lbs.
- Can be Customized • 5,000 PSI Concrete • Non-Skid Surface
- Safety Curb and Rails • Steel Reinforcement



### Additional Benefits:

- Portable • Modular
- Minimal Site Preparation
- Low Maintenance • Inside or Outside Installation
- Considered Equipment vs Capital Improvement
- Can be fitted with Bumpers and Dock Levelers, for Cross Docking applications.



- PRECAST CONCRETE
- FAST DELIVERY
- Temporary or Permanent
- Drive-in access to your facility.
- Easy to Relocate.

Consult us for delivery and installation charges.





Specs:	Ramp	Platform	Steps
Height	to 52"	to 48"	to 63"
Width	4', 8', 9', 10', 12'	4 ft.	4 ft. - 10 ft.
Length	13', 21', 31', 40'	12 ft.	Variable
Weight	9000 lbs./casting	9000 lbs./casting	Variable
Capacity	To 50,000 lbs.*	To 50,000 lbs.*	N/A



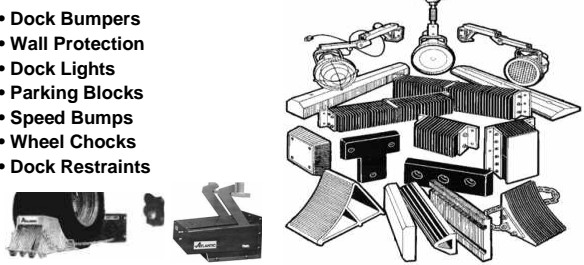
### BOX SYSTEM FOR DOCK LEVELER

Call for Available Sizes and Quotation.



OTHER PRE-CAST ITEMS AVAILABLE UPON REQUEST.

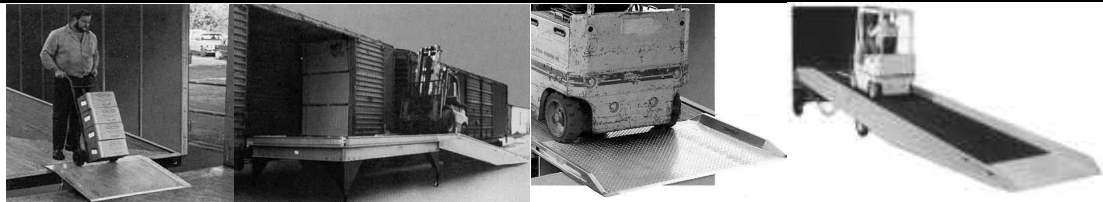
RAMP (Prices include curbs)				Rapid Clean	Hydraulic Vertical Truck Leveler
Item	Height	Number of Castings	%Grade at 48"	 <p>7' Wide and 35,000#Cap Models Available</p>	 <p>35,000#Cap Models Available</p>
8' x 21'	to 52"	2	19%		
12' x 21'	to 52"	3	19%		
8' x 31'	to 52"	4	13%		
12' x 31'	to 52"	6	13%		
10' x 40'	to 52"	4	10%		
12' x 40'	to 52"	6	10%	Hydraulic Leveler	Hydraulic Vertical Rail
SECTIONAL PLATFORMS				 <p>7' Wide and 35,000#Cap Models Available</p>	 <p>Other Sizes and Capacities Available</p>
4' x 12'	48"	EA.	Flat		
CURB 8" High X 6" Wide X 9' (Various Lengths)					
2 LINE OSHA RAILING - 42"High (Powder Coated)					

EDGE OF DOCK		ADVANCE DOCK LIFT		DOCK ACCESSORIES	<ul style="list-style-type: none"> <li>• Dock Bumpers</li> <li>• Wall Protection</li> <li>• Dock Lights</li> <li>• Parking Blocks</li> <li>• Speed Bumps</li> <li>• Wheel Chocks</li> <li>• Dock Restraints</li> </ul>  <p>CALL FOR PRICING</p>		
	<b>E-Z LIFT</b>		<b>Model/Size</b>				
	Mechanical		AT6080-6' x 8'				
	20,000 LB Capacity		AT6010-6' x 10'				
<b>Model/Size</b>		AT6012-6' x 12'					
MD66							
MD72							

### Aluminum or Steel:

- Dock Plates
- Dock Boards
- Platforms
- Mobil Ramps

Call for Quote



# OVERHEAD DOORS SERVICE AND INSULATED



## FOOD, PHARMACEUTICAL COMMERCIAL AND INDUSTRIAL

**CLOPAY - 2" Insulated (R-17.5)** Designed for optimum strength, durability and performance, this door's 20/25-gauge exterior steel skin and rugged hardware provides the ultimate in reliable operation. Ideal in applications where security and maximum thermal efficiency are required.

**CLOPAY - 1-3/4" INSULATED (R-15)** Provides proven reliability and durability to meet or exceed the requirements of daily use. The 1/2" thick product is offered with the widest selection of quality features and options for the most common product applications.



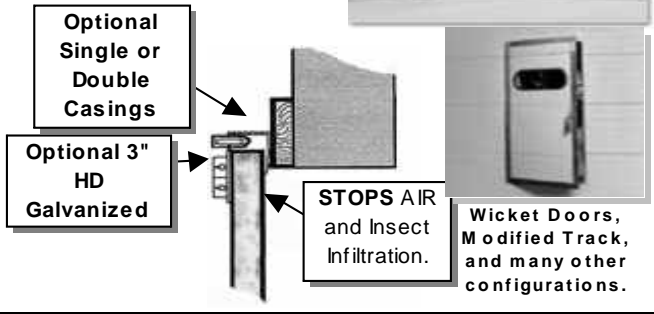
**Customized  
Track and  
Hardware**



**24" x 8"  
Vision Lites**



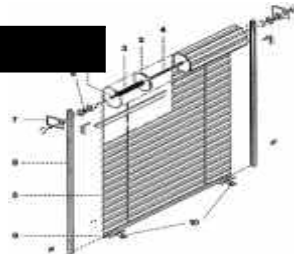
**Ask About High  
Cycle Torsion  
Spring Options**



## 955/955WL

**Commercial Steel Roll-Up Door**  
Trac-Rite® Doors, include zinc-coated brackets and door stops and door rope with handle, we're committed to developing quality products.

- Low Maintenance
- Corrosion Resistant Bottom assembly
- Custom Sizes
- 10 Year Paint Warranty
- Full Line of Accessories



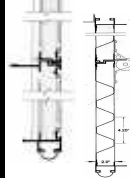
### 8 standard colors:

Iced White, Garnet, Desert Tan,  
Royal Blue, Polar Blue, Evergreen,  
Continental Brown and Sunset  
Orange.

## INSULITE / FIBERLITE

Overhead Insulated sectional **INSULITE** and corrugated **FIBERLITE** doors have durable structural strength. Fiberglass panels with pebble finish door and casing frames are corrosion resistant, shatter-proof, shrink proof and will not warp, split, crack or peel. Door and casing frames are fabricated from extruded aluminum.

**INSULITE** - Insulated with 1lb. EPS between .060" FRP panels. Color: White or Tan.



**FIBERLITE** - Corrugated FRP with aluminum frame. Color: White, Tan or Green. Offers Sun Light and low level security.



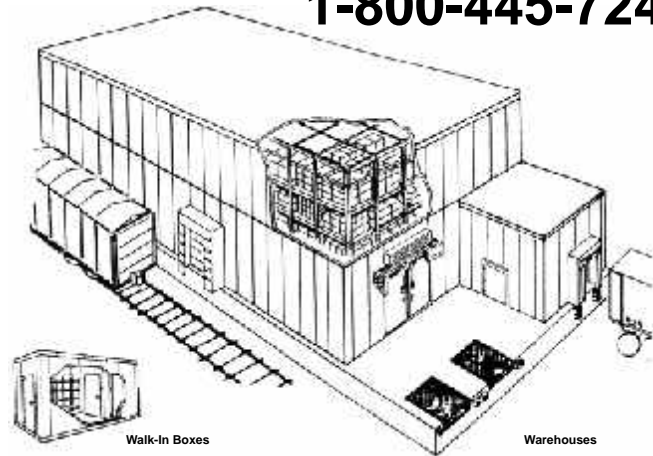
# CONTACT US TODAY!

**1-800-445-7249**

For more than 40 years we have furnished and installed the **best** standard and engineered products available... supporting Food, Pharmaceutical, Chemical, Agricultural and Manufacturing Facilities.

- Cold Storage Warehouses
- Pre-Fab Walk-In Boxes
- Insulated Liner Panels
- FRP Panels and Ceiling Grid Systems
- Insulated Industrial & Cold Storage Doors
- Double Acting Impact Traffic Doors
- Truck Dock Seals and Shelters
- Hydraulic and Mechanical Dock Levelers and Restraints
- PVC Strip and Air Doors
- Storage Racks and Shelving
- Inplant Office Mezzanines

(Most Products FDA-USDA Accepted)



975 JAYMOR RD  
SOUTHAMPTON, PA 18966-3854  
Tel: (215) 673-6050  
Toll: (800) 445-7249  
Fax: (215) 322-2076

# SUPPLY AND INSTALL

E-Mail: [Sales@JohnsonEnergyGroup.com](mailto:Sales@JohnsonEnergyGroup.com)  
[www.JohnsonBuildingSystems.com](http://www.JohnsonBuildingSystems.com)