



FVT SERIES LIGHTING

FREEZER AND COOL ROOM VAPOR TITE UNITS

Application: This fully weatherproof unit is designed for use in exterior and interior areas. Designed to withstand direct contact with rain and water spray this unit is corrosion resistant and waterproof. This unit is ideal in areas such as car washes, store fronts, parking garages, kitchens, chemical and food processing plants. Vapor Tite unit is capable of being hosed down for easy cleaning and sanitation.

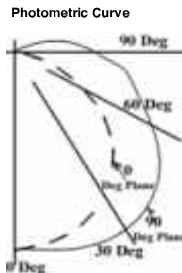
Construction: Exterior housing is designed for single piece injection molded fiberglass/plastic combination blend. Neoprene gasket and pressure locks ensure waterproof seal. Interior unit has heavy gauge steel die formed housing with baked white enamel finish for maximum reflectivity and durability.

Electrical: All units are furnished with UL Listed Class P thermally protected ballast. Other voltages are available upon request. Fixtures meet requirements for UL Luminaire Standard # 1598. All units comply with National Energy Standards.

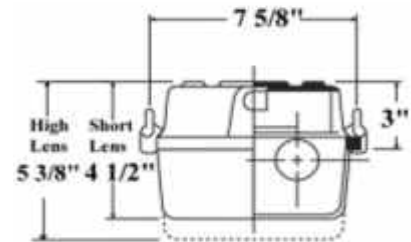
Mounting: Vapor Tite Unit available with stainless steel external hanging brackets or optional off the ceiling with 2" PVC Gap adaptors. VT Series is watertight and must be drilled and sealed for each surface mounting or chain hanging application.



RF	20										
RC	90%		70%		50%						
RW	70	50	30	10	70	50	30	10			
0	83	83	83	83	81	81	81	81	76	76	76
1	75	71	67	64	72	68	65	62	64	62	58
2	67	61	56	51	65	59	54	50	55	51	48
3	61	53	47	42	59	52	46	42	49	44	40
4	56	47	41	36	54	46	40	35	43	38	34
5	51	41	35	30	49	40	34	29	38	32	28
6	47	37	30	25	45	36	30	25	34	28	24
7	43	33	27	22	41	32	26	22	30	25	21
8	40	30	23	19	38	29	23	19	27	22	18
9	36	26	20	16	35	26	20	16	24	19	16
10	34	24	18	14	33	23	18	14	22	17	14



T12	T12HO	T8	T8HO	T5	T5HO	
F20T12	--	F17T8	--	F14T5	F24T5HO	26"
F40T12	F48T12HO	F32T8	--	F28T5	F54T5HO	50"
F96T12	F96T12HO	F96T8	F96T8HO	--	--	98"



Maximum Weight = 45 lbs. / 48"

Ordering Information

Specifications Subject to Change Without Notice

Model	# Lamps	Lamp Type	Ballast	Voltage	Options	Mounting								
VT-	2	32	E											
VT = 50"	1 = One	T8 Lamps	M = Magnetic	Blank = 120V	EMB = Emergency Ballast	2" PVC GAP ADAPTERS EASY TO CLEAN FRP WALL AND CEILING PANEL SYSTEM (No exposed Metal)								
VTS = 98"	2 = Two	17 = F17T8	E = Electronic .88BF	277 = 277 V										
VTH = 98"	3 = Three	32 = F32T8 96T8 = F96T8 96T8HO = F96T8HO	E-LW = Electronic .77BF E-O = Electronic 1.8BF	MV = Multi Volt										
		T12 Lamps				FIELD INSTALLED TO UNDERSIDE OF INSULATED PANEL 2-3/4" - 6" ELECTRICAL WIRING BY OTHERS (OR SEPARATE QUOTE)								
		20 = F20T12												
		40 = F40T12												
		T12 Single Pin												
		48 = F48T12												
		96 = F96T12												
	T12 High Output													
	48HO = F48T12HO													
	96HO = F96T12HO													
	T5 Lamps													
	14T5 = F14T5													
	28T5 = F28T5													
	T5 High Output													
	24T5HO = F24T5HO													
	54T5HO = F54T5HO													
						<table border="1"> <thead> <tr> <th>Size</th> <th>2 Bulb Units</th> </tr> </thead> <tbody> <tr> <td>24"</td> <td>FVT224</td> </tr> <tr> <td>48"</td> <td>FVT248</td> </tr> <tr> <td>96"</td> <td>FVT296</td> </tr> </tbody> </table>	Size	2 Bulb Units	24"	FVT224	48"	FVT248	96"	FVT296
Size	2 Bulb Units													
24"	FVT224													
48"	FVT248													
96"	FVT296													

SUPPLIED AND DESIGNED BY:

1-800-445-7249

JOHNSON BUILDING SYSTEMS, INC.
 975 JAYMOR RD.
 SOUTHAMPTON, PA 18966-3854

Tel: 215-673-6050
 Fax: 215-322-2076
 e-Mail: Sales@JohnsonEnergyGroup.com
www.JohnsonBuildingSystems.com



CR 131 SERIES LIGHTING

1X4 2X2 2X4 FLANGED RECESSED CEILING UNIT

Application: This flanged ceiling recessed fixture is designed especially for use in walkable insulated ceiling panel systems. Caulked 1" wide flange surrounds perimeter of fixture and covers ceiling opening providing clean recessed appearance.

Construction: Housing is designed from heavy gauge die formed steel in baked white enamel or polyester powder coating for maximum reflectivity and durability. Hinged steel door with mitered corners are equipped with side latched allowing for easy relamping and maintenance. Clear lens is constructed of a prismatic non yellowing acrylic.

Electrical: All units are furnished with UL Listed Class P thermally protected ballast. Other voltages are available upon request. Fixtures meet requirements for UL Luminaire Standard # 1598. All units comply with National Energy Standards.

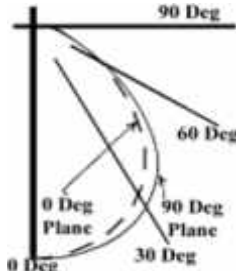
Mounting: Unilugs are installed in outer side wall of fixture allowing support with a simple turn of a screw.



Coefficients Utilization Zonal Cavity Method

RF	20										
	80%			70%			50%				
RC	70	50	30	10	70	50	30	10	50	30	10
0	80	80	80	80	79	79	79	79	75	75	75
1	75	72	69	67	73	70	68	66	67	66	64
2	69	64	60	57	67	63	59	56	60	57	55
3	64	57	52	49	62	56	52	48	54	51	47
4	59	51	46	42	57	51	46	42	49	45	41
5	54	46	40	36	53	45	40	36	44	39	36
6	50	41	36	32	49	41	35	32	40	35	31
7	46	37	32	28	45	37	31	28	36	31	27
8	42	34	28	24	41	33	28	24	32	27	24
9	39	30	25	21	38	30	24	21	29	24	21
10	36	27	22	19	35	27	22	19	26	22	18

Photometric Curve

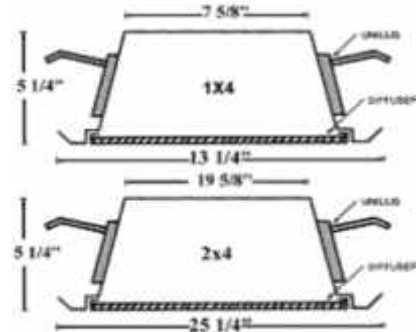


Fixture Length

T12	T8	T5	Length
F20T12	F17T8	F14T5	24"
F40T12	F32T8	F28T5	48"
U Lamps Blax			
F031U	---	---	24"
F32U6	F40BX	---	
F40T12U6	---	---	

Ceiling Opening

Nom. Fixture Size	W	L
131	1 X 2	11 1/2"
131	1 X 4	11 1/2"
231	2 X 2	23 1/2"
231	2 X 4	23 1/2"



Maximum Weight = 45 lbs. / 48"

Ordering Information

Specifications Subject to Change Without Notice

Model	# Lamps	Lamp Type	Ballast	Voltage	Options	Lens and Louvers								
131-	2	32	E											
131	1 = One	T8 Lamps	M = Magnetic	Blank = 120V	EMB = Emergency Ballast	DD = Acrylic Deep Dish Lens								
	2 = Two	17 = F17T8	E = Electronic .88 BF	277 = 277 V	REF = Mirror Aluminum Reflector	EG = 1/2" White Egg Crate Louver								
	3 = Three	32 = F32T8	E-LW = Electronic .77 BF	MV = Multi Volt	RAD = Regresses Aluminum Door	SIL = 3/4" Silver Parabolic Louver								
	4 = Four	T12 Lamps	E-O = Electronic 1.8 BF			SIL2 = 1 1/2" Silver Para. Louver								
		20 = F20T12		PRE ASSEMBLED IN INSULATED PANEL 2-3/4" - 6" ELECTRICAL WIRING BY OTHERS (OR SEPARATE QUOTE)		<table border="1"> <thead> <tr> <th>Size</th> <th>2 Bulb Units</th> </tr> </thead> <tbody> <tr> <td>1x4</td> <td>131-14</td> </tr> <tr> <td>2x2</td> <td>131-22</td> </tr> <tr> <td>2x4</td> <td>131-24</td> </tr> </tbody> </table>	Size	2 Bulb Units	1x4	131-14	2x2	131-22	2x4	131-24
	Size	2 Bulb Units												
	1x4	131-14												
	2x2	131-22												
	2x4	131-24												
	40 = F40T12													
	T5 Lamps													
	14T5 = F14T5													
	28T5 = F28T5													
	U Lamps													
	31/U = F031/U 15/8"													
	32U6 = F32/U6 6"													
	40U6 = F40T12/U6													
	Blax													
	40BX = F40BX													

SUPPLIED AND DESIGNED BY:

1-800-445-7249

JOHNSON BUILDING SYSTEMS, INC.
975 JAYMOR RD.
SOUTHAMPTON, PA 18966-3854

Tel: 215-673-6050
Fax: 215-322-2076
e-Mail: Sales@JohnsonEnergyGroup.com
www.JohnsonBuildingSystems.com